

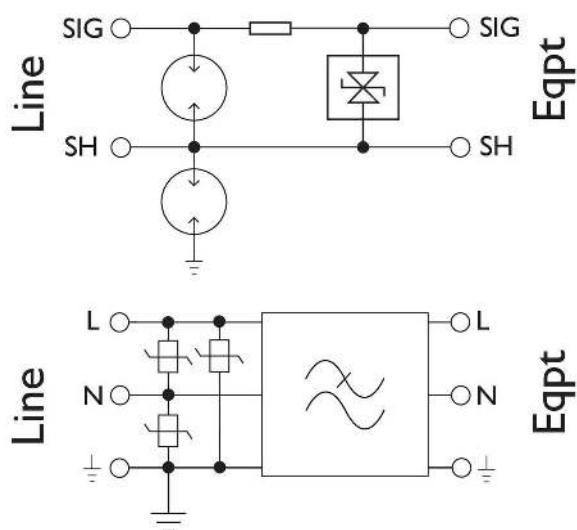
## SFD1-6-3-30-C

## SFD1 Combined CCTV Protection

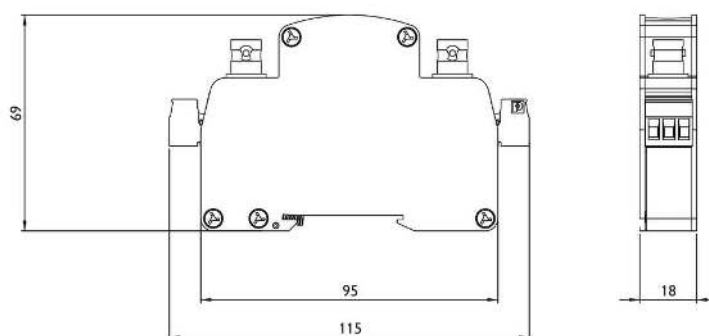
Novaris protection for both power and signal is provided in one compact and economical DIN compliant package. Ideal for security and CCTV camera protection.



## Wiring



## Dimensions







## Standards

IEC 61643-11:2011  
AS/NZS 1768:2007  
UL 1449 3rd edition  
IEEE 62.41.2:2002


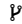
SPD connected to low-voltage power systems - Type 1+2  
A.C. power system SPD - Cat C, B  
Low voltage SPD - Type 2  
Low voltage SPD - Cat B

## Product Datasheet

### Electrical Specifications

Connection type		Series
Modes of protection		L-N, L-PE, N-PE
Number of ports		2
Number of phases		1
Location		Indoor
Nominal voltage	$U_0$	30VAC
Short circuit withstand level	$I_{SSCR}$	3kA
Maximum backup fuse		6A
Earth leakage current	$I_{PE}$	<500 $\mu$ A

### Signal (L-L) Specifications

Connection type		Series
Modes of protection		Transverse and common mode
Maximum continuous voltage	$U_c$	8.2V
Maximum discharge current (8/20 $\mu$ s)	$I_{max}$	20kA
Maximum load current	$I_L$	500mA
Protection stages		GDT>Impedence>SAD
Impulse voltage 1.2/50 $\mu$ s	$U_p$	14V
3dB frequency		200MHz
Insertion loss		<1dB @ 20MHz


### Electrical (L-N) Specifications

Maximum load current	$I_L$	6A
Maximum continuous voltage AC	$U_c$	30VAC
Maximum voltage drop (% of $U_0$ )		<1%
3dB frequency @ 50 $\Omega$		9400Hz
Maximum discharge current (8/20 $\mu$ s)	$I_{max}$	3kA
Nominal discharge current (8/20 $\mu$ s)	$I_n$	1kA
Voltage protection level (3kA 8/20 $\mu$ s)	$U_p$	<100V
Response time	$t_A$	Instantaneous












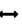

### Electrical (N-PE) Specifications

Maximum continuous voltage	$U_c$	30VAC
Maximum discharge current (8/20 $\mu$ s)	$I_{max}$	3kA
Nominal discharge current (8/20 $\mu$ s)	$I_n$	1kA
Voltage protection level (3kA 8/20 $\mu$ s)	$U_p$	<100V
Response time	$t_A$	<100ns

### Indication Specifications

Display  LED power and thermal failure

### Mechanical Specifications

Minimum operating temperature		-40°C
Maximum operating temperature		70°C
Minimum operating humidity		5%
Maximum operating humidity		95%
Mounting method		TS35 DIN Rail
Environmental rating		IP20
Enclosure material		Aluminium
Enclosure finish		Black powdercoat
Terminal capacity - power		2.5mm <sup>2</sup>
Terminal screw torque - power		0.5Nm
Length		115mm
Width		18mm
Height		69mm

### Other Specifications

Product Code  SFD1-6-3-30-C

### Shipping Specifications

Weight  350g