

## SLT-Y - Y Adapter for SLTx



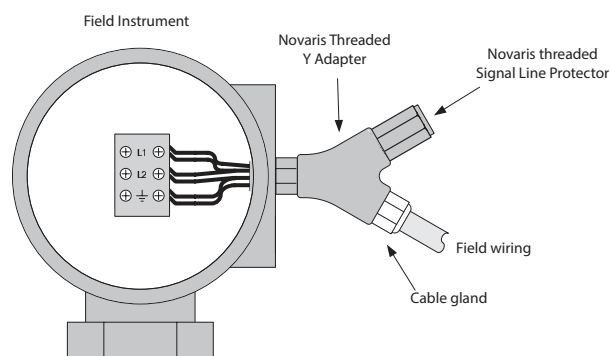
### Y-Adapter for Field Instrument Surge Protectors

The SLT-Y offers a solution when a field instrument has no free cable entry to accommodate the SLT threaded instrument protector. The Novaris Y-piece adapter accommodates the SLT threaded instrument protector and cable gland. The SLT-Y is available in the same thread types as the threaded instrument protectors.

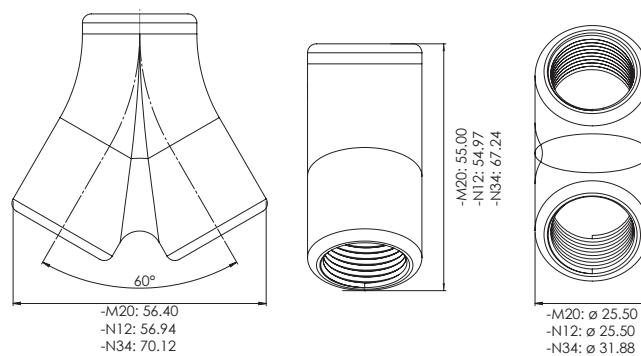
### Flameproof Y-Adapter

The IS-SLT-Y-M20 is an IEC Ex and ATEX EX d certified version of the Y-Adapter, and so may be installed in Ex d rated instruments without loss of integrity.

### Installation



### Dimensions



### Product Specifications

Model	SLT-Y-M20	SLT-Y-N12
<b>Mechanical Specifications</b>		
Mounting	M20 x 1.5	1/2" NPT
Housing Material	UNS S31600 Stainless Steel	
Housing finish	Raw (Matte)	
Nipple material	C38500 Brass	
Nipple finish	Cu/Ni 20b Cr r Nickel Plating (polished)	
<b>Shipping</b>		
Weight	180 g	
Customs Tariff	85363000	

Novaris has a policy of continuing product development, therefore specifications are subject to change without notice. Copyright: © 2016 Novaris Pty Ltd